

Specifications

Current Rating: 1 Amp
 Operating Temp.: -55°C ~ +105°C
 Dielectric Strength : 1000V / minute
 Insulation Resistance: 1000MΩ Min. at 500V DC
 Insulator Material: PBT+30% Glass Fiber (UL94V-0)
 Shell: Steel, Nickel Plated
 Screw: Brass, Nickel Plated

Part Numbering System

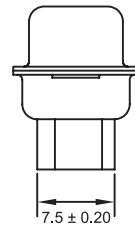
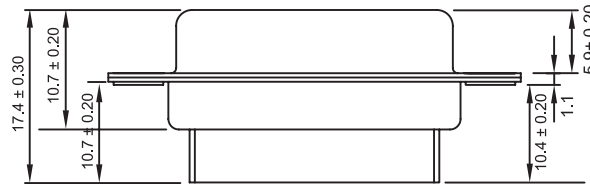
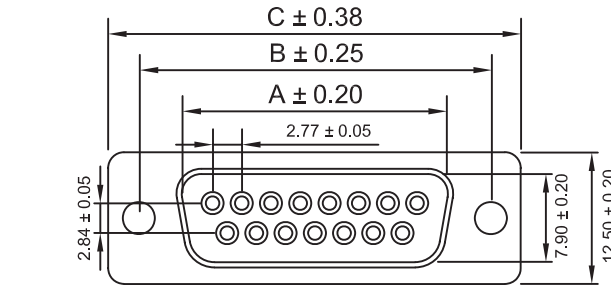
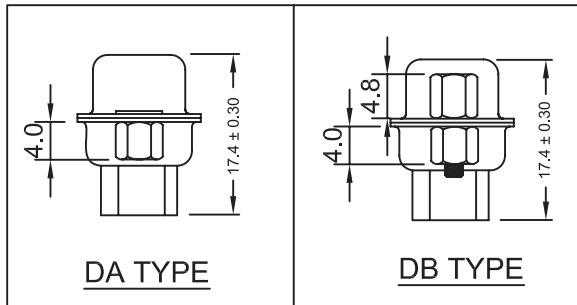
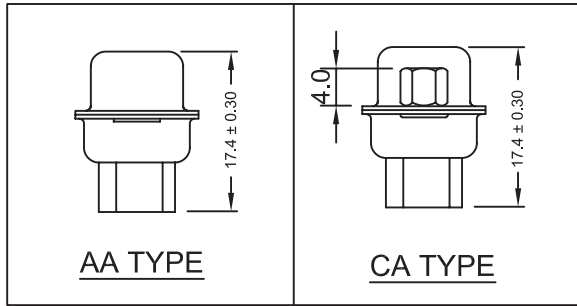
DS10 - XX M X X X X X

Series _____
Contact Number: _____
 09 15 25 37
Contact Type: _____
 M = Male
*** Contact Plating:** _____
Shell Plating: _____
 N = Nickel (Standard)
 T = Tin
 Z = Zinc
Process Option: _____
 A = Though Hole
 C = Riveted 4.0 Hex Nut (Front)
 D = Riveted 4.0 Hex Nut (Rear)
Parts Option: _____
 A = No Accessories
 B = Fixed Jack Screws 4.8mm * 11.8mm
 D = Loose Jack Screws 4.8mm * 11.8mm (in Poly Bag)
Insulator Color: _____
 3 = Black (Standard)

Position	A	B	C
9	16.92	24.99	30.81
15	25.25	33.32	39.14
25	39.96	47.04	53.04
37	55.42	63.50	69.32

* Contact Plating Option	Full Gold Plating	Gold Plated On Contact Area Tin Plated on Solder Area	Full Tin Plating
	G : Gold Flash G10: Gold 10u" G15: Gold 15u" G30: Gold 30u"	S: Gold Flash S10: Gold 10u" S15: Gold 15u" S30: Gold 30u"	T: Tin 100u"

General Tolerance	
X. ± 0.50	X.° ± 5°
.X ± 0.20	.X° ± 2°
.XX ± 0.10	.XX° ± 1°
Units : mm	



Position	A	B	C
9	16.35	24.99	30.81
15	24.51	33.32	39.25
25	38.35	47.04	53.04
37	54.84	63.50	69.50

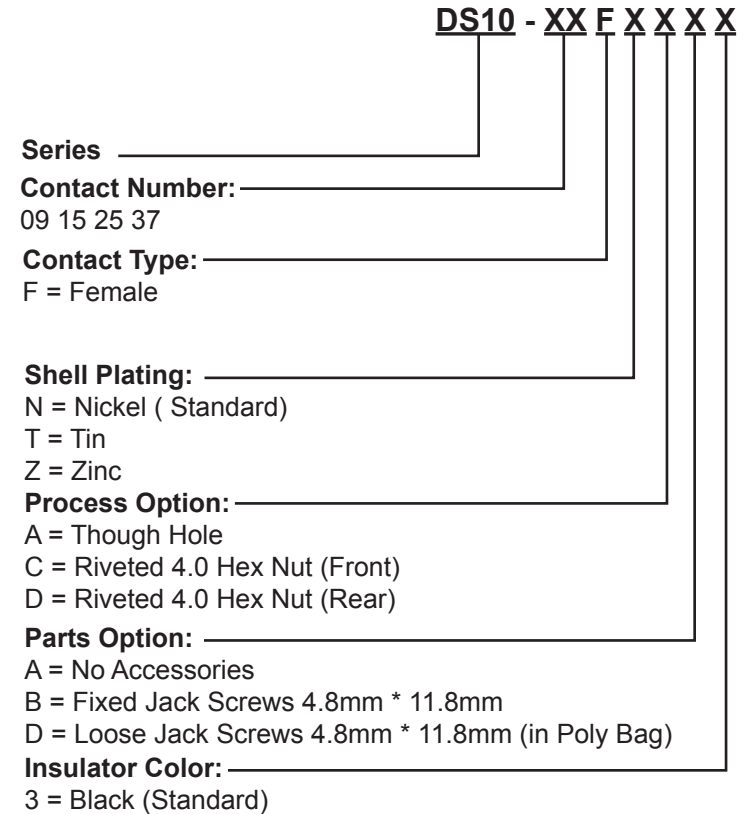
* Contact Plating Option	Full Gold Plating	Gold Plated On Contact Area Tin Plated on Solder Area	Full Tin Plating
	G : Gold Flash G10: Gold 10u" G15: Gold 15u" G30: Gold 30u"	S: Gold Flash S10: Gold 10u" S15: Gold 15u" S30: Gold 30u"	T: Tin 100u"

General Tolerance	
X. ± 0.50	X.° ± 5°
.X ± 0.20	.X° ± 2°
.XX ± 0.10	.XX' ± 1°
Units : mm	

Specifications

Current Rating: 1 Amp
 Operating Temp.: -55°C ~ +105°C
 Dielectric Strength : 1000V / minute
 Insulation Resistance: 1000MΩ Min. at 500V DC
 Insulator Material: PBT+30% Glass Fiber (UL94V-0)
 Shell: Steel, Nickel Plated
 Screw: Brass, Nickel Plated

Part Numbering System

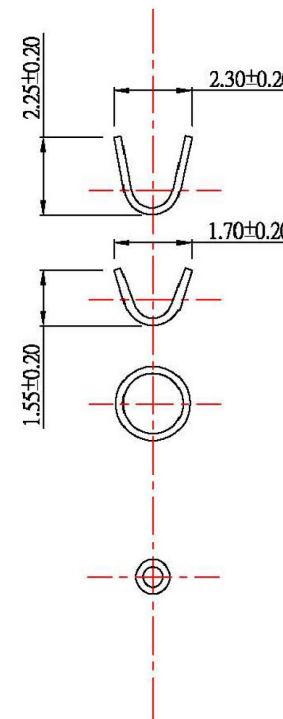
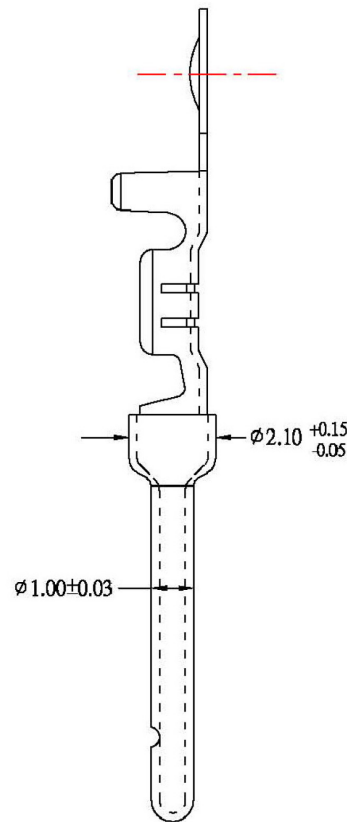
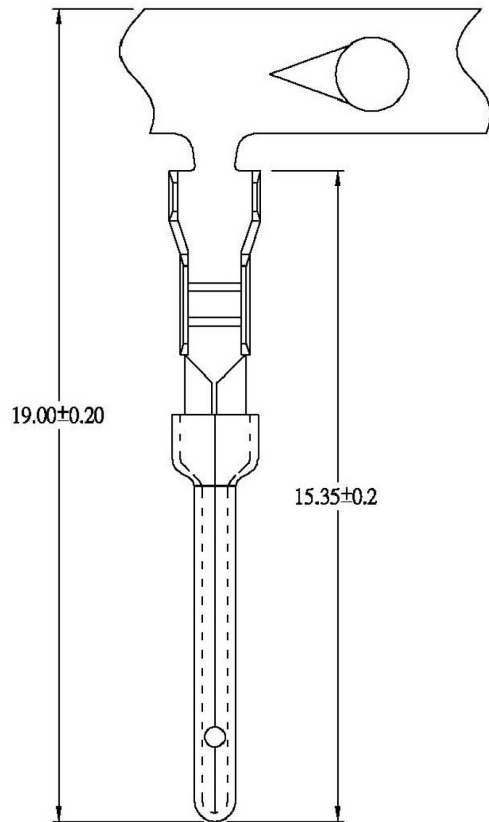


Specifications

Rated Current: 3A
 Rated Voltage: 250V AC(r.m.s.)
 Contact Resistance: 20 mOhm Max.
 Insulation Resistance: 5000 MOhms Min.
 Operating Temperature: -40°C to +105°C
 Selective Gold Plating
 Wire Range: AWG #22~28

Part Number

DS10-100M-1K : 1,000pcs / Bag
DS10-100M-5K : 5,000pcs / Reel
DS10-100M-10K : 10,000pcs / Reel



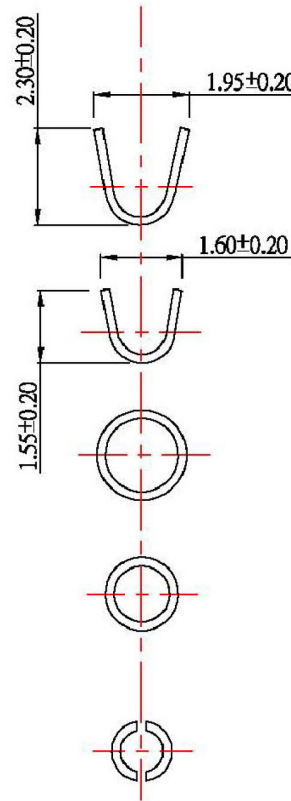
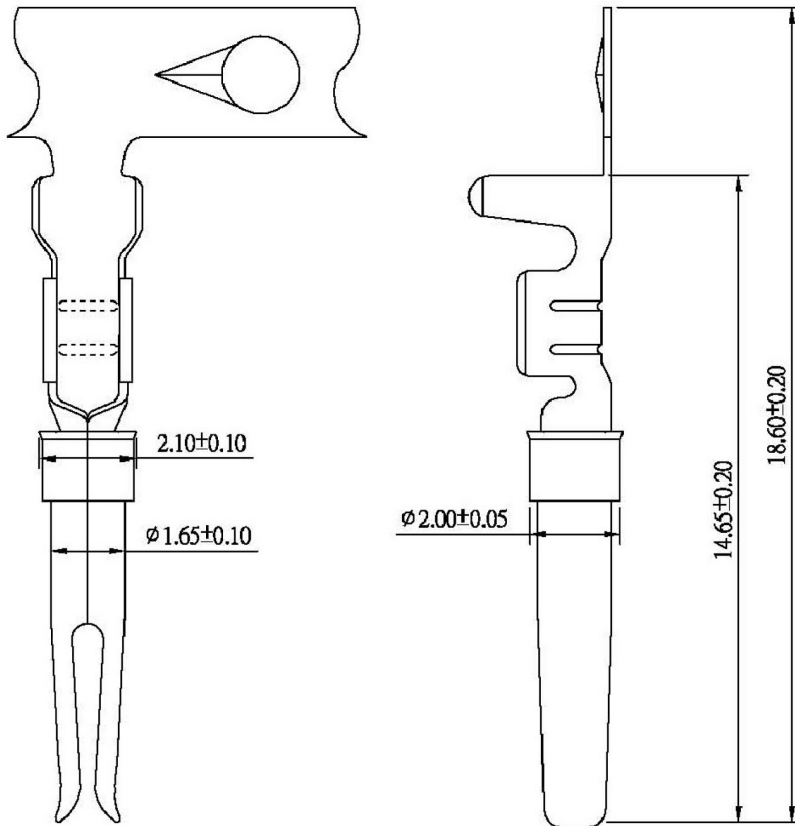
General Tolerance	
X. ± 0.50	X.° ± 5°
.X ± 0.20	.X° ± 2°
.XX ± 0.10	.XX° ± 1°
Units : mm	

Specifications

Rated Current: 3A
 Rated Voltage: 250V AC(r.m.s.)
 Contact Resistance: 20 mOhm Max.
 Insulation Resistance: 5000 MOhms Min.
 Operating Temperature: -40°C to +105°C
 Selective Gold Plating
 Wire Range: AWG #22~28

Part Number

DS10-100F-1K : 1,000pcs / Bag
DS10-100F-10K : 10,000pcs / Reel



General Tolerance	
X. ± 0.50	X.° $\pm 5^\circ$
.X ± 0.20	.X° $\pm 2^\circ$
.XX ± 0.10	.XX° $\pm 1^\circ$
Units : mm	